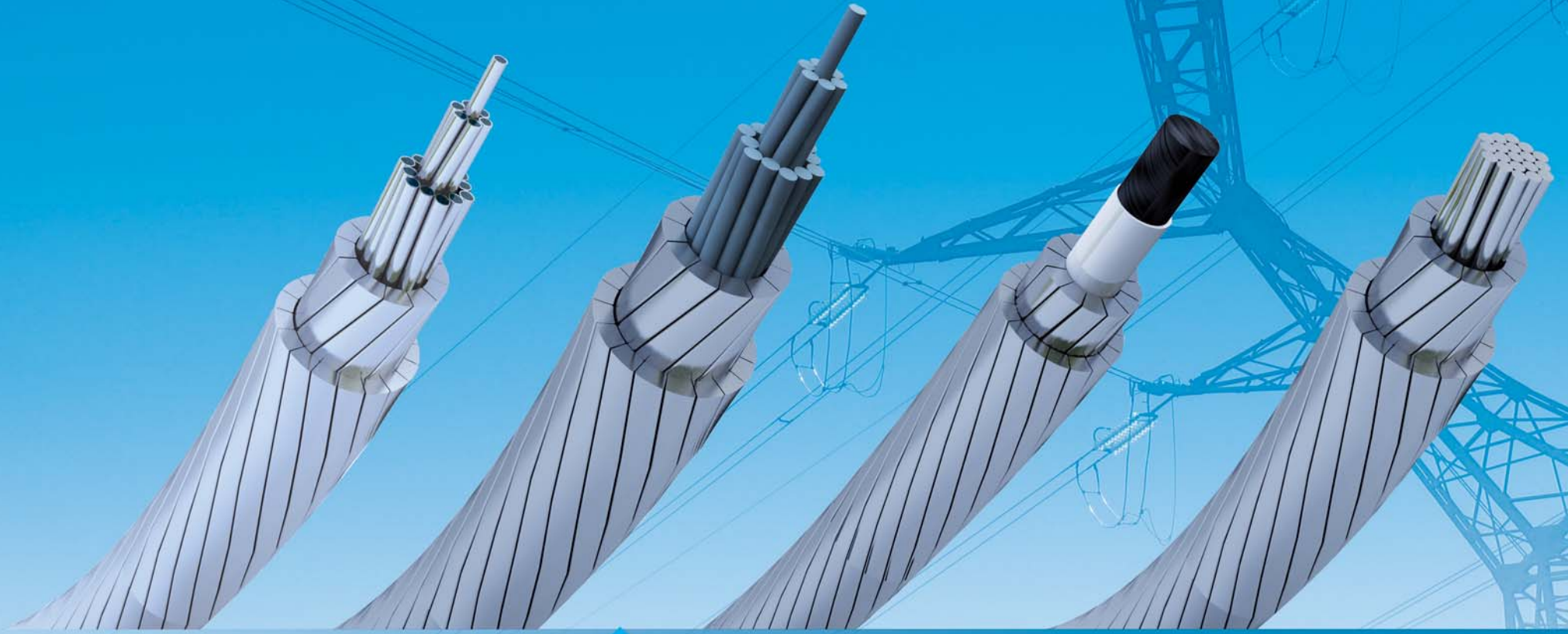


HTLS conductor accessories



CONNECTIONS, ANCHORING, SUSPENSIONS, DAMPING DEVICES, AIRCRAFT WARNING DEVICES



Dervaux SA SICAME GROUP



Tests & Studies

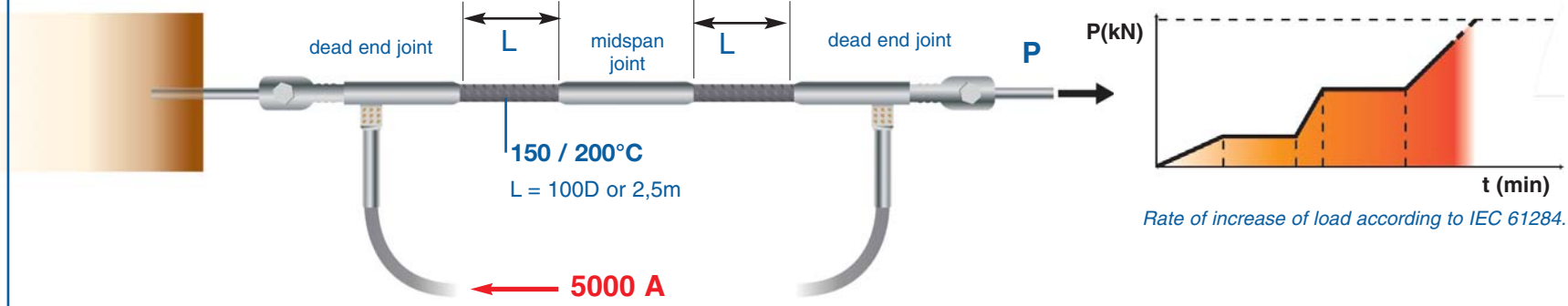
A testing laboratory able to characterize and qualify HTLS conductors & accessories

DERVAUX S.A. has test resources among the best, which means that low sag / high ampacity conductors and accessories can be fine-tuned and qualified. These studies and trials are performed according to the power, environmental, and configuration parameters of the line to be fitted.

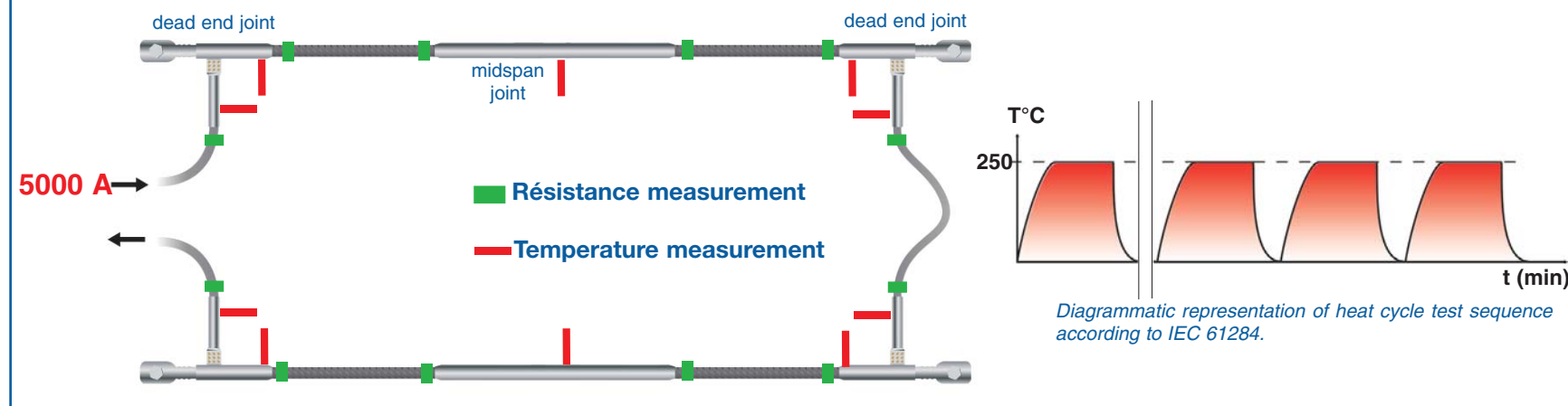
The tests comply with the requirements of standard IEC 61284* :

*Tests compliant with the specifications of each country can be performed by the DERVAUX SA and SM-CI SAAE laboratories.

1- High temperature tensile bench test

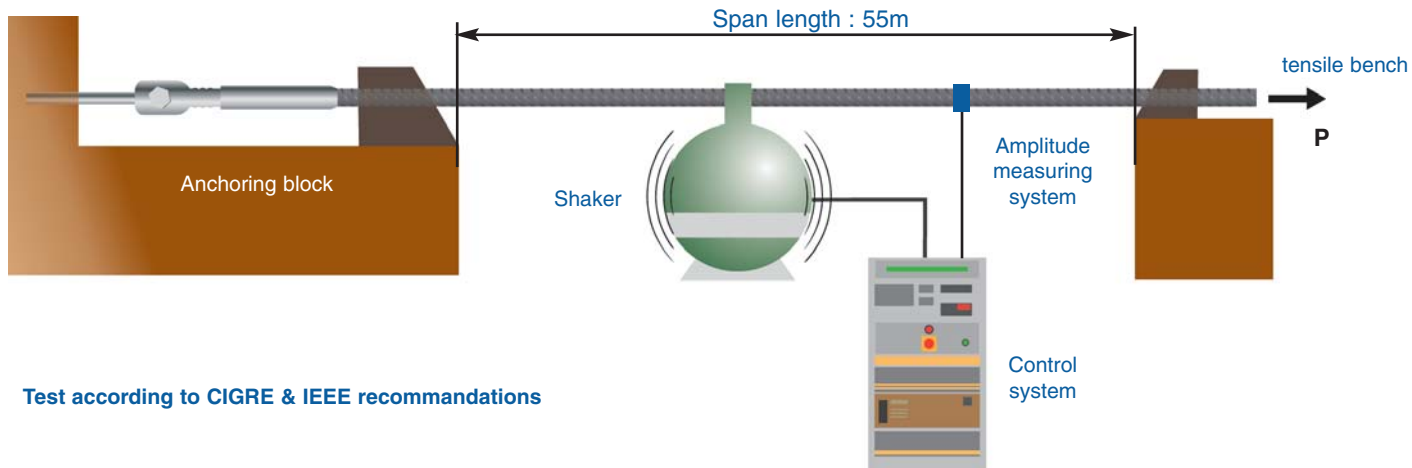


2- Heat cycle test at 250°C



3- Vibration tests

a- Conductor self damping characterization

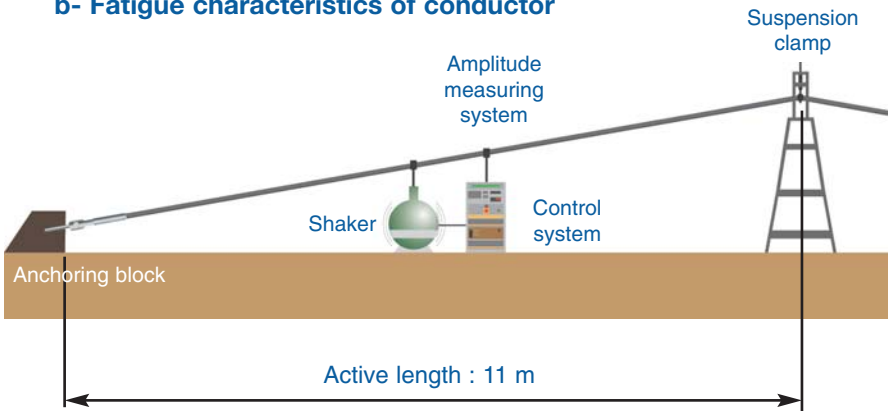


Test according to CIGRE & IEEE recommendations



HTLS cable qualification, SM-CI SAAE laboratory

b- Fatigue characteristics of conductor



Test according to CIGRE & IEEE recommendations



HTLS cable qualification, SM-CI SAAE laboratory

c- Damper and stockbridge accessories tests



DERVAUX SA, your specialist in high voltage line and substation accessories.



Founded in 1828, DERVAUX SA grew both in the domestic and export markets. It is based in Le Chambon Feugerolles near St Etienne (France), in premises of 15.000 sqm where it designs, develops and produces full ranges of accessories for high voltage networks.

DERVAUX SA is a subsidiary of the SICAME GROUP, which specializes in accessories and safety products for transmission and distribution electrical markets. The SICAME GROUP is established in 22 countries all over the five continents.

DERVAUX SA has forged a strong position in the transmission line sector thanks to the quality of its products and its recognized R&D capabilities (vibration, connection...).



DERVAUX SA is a Sicame Group company

A complete range of products

- . Accessories for HV lines
- . Damping devices
- . Day and night aircraft warning devices
- . Hardware for optical groundwires (OPGW)
- . Accessories for HV substations

Customized solutions

DERVAUX, S.A.'s engineering and technical teams have acquired an internationally renowned expertise in customized studies for each line or station configuration, which means they can work around a great variety of technical constraints.

All solutions are tested and qualified in the laboratory of the company that will perform the following types of trials:

- . Mechanical
- . Electrical
- . Vibration



Comprehensive quality system

As our constant desire to achieve customer satisfaction the whole company takes great care of ensuring the correct application of our quality system.

Each product is thoroughly tested and controlled in our laboratory using test resources adapted to the specific nature of each test.

Alongside this total quality approach, DERVAUX, willing to improve continuously its quality performance, works towards ISO 14000 certification for environmental management of its processes.



DERVAUX SA ZI Le Bec Allée Ampère - BP 49 - 42501 LE CHAMBON FEUGEROLLES - FRANCE
Phone : + 33 (0) 4 77 40 17 40 - Fax : + 33 (0) 4 77 89 02 19 info@dervaux.fr